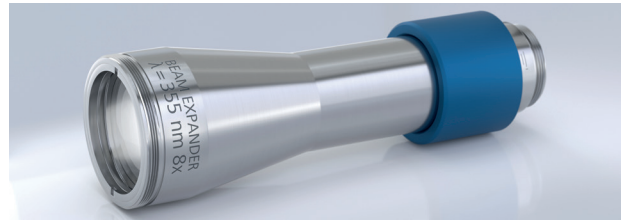


Fix Beam Expander 355 nm

High-Power & Ultrashort Pulse Systems

NEW

- Diffraction limited performance
- UV grade fused silica
- Divergence adjustable
- No internal foci
- Reverse mode possible

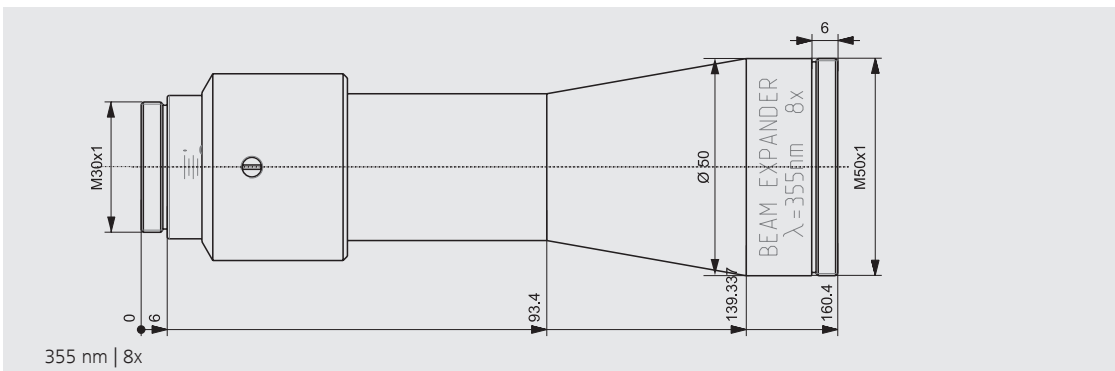
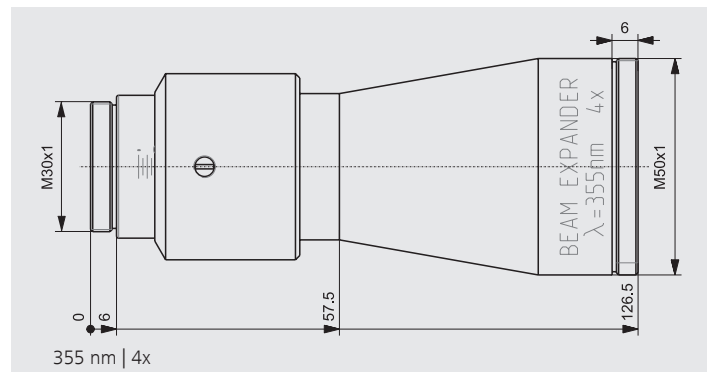
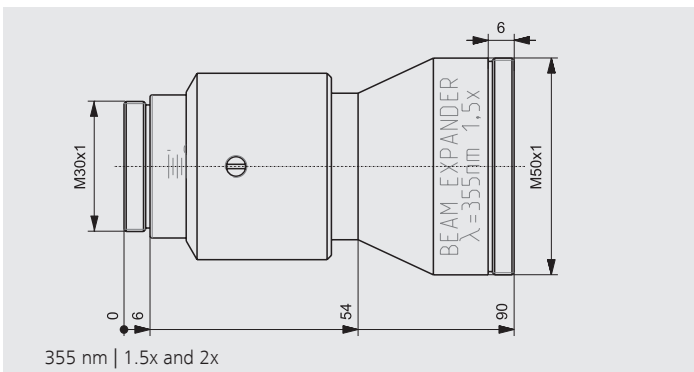


Specification

Wavelength [nm]		1.5x	2x	4x	8x
355	GDD ¹⁾	1171 fs ²	1171 fs ²	1171 fs ²	1757 fs ²
	LIDT ³⁾	CW: 1.0 MW/cm ² Pulsed (ns): 1.0 J/cm ² * (τ/ns) ^{0.40}			
	Transmission	99 %	99 %	99 %	> 98 %
	Mounting	M30x1/M50x1	M30x1/M50x1	M30x1/M50x1	M30x1/M50x1
	Weight	0.421kg	0.421 kg	0.601 kg	0.662 kg
	Clear input aperture	16 mm	16 mm	12 mm	7 mm
	Clear output aperture	40 mm	40 mm	40 mm	40 mm
	Diffraction limited up to an 1/e ² diameter ⁽²⁾ of	8 mm	8 mm	5 mm	3 mm
	Order Number:	663991	663992	663993	663994

¹⁾ Group delay dispersion | ²⁾ beam diameter vignetted @ 1/e²

³⁾ For UV lasers, the LIDT values are valid for pulse durations > 10 ps. For shorter pulses please be advised to test.



Registered Design in
DE 40 2016 001 282.4
Registered in CN, EU,
HK, IN, JP, KR
Pending in TW
Granted Patent
DE 10 2015 009 124
Patent pending CN-,
CZ-, KR-, US-Appl.

It is our policy to constantly improve the design and specifications. Accordingly, the details represented herein cannot be regarded as final and binding.

