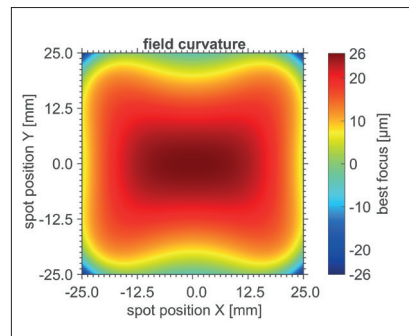
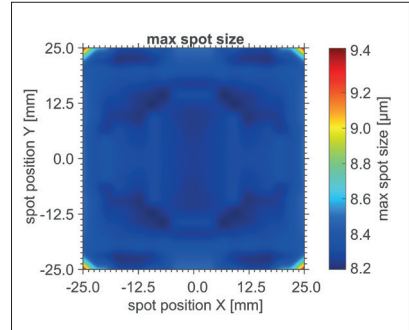


F-Theta JENar™ Silverline™ Lens

High Power Lens – JENar™ 115-515...540-71

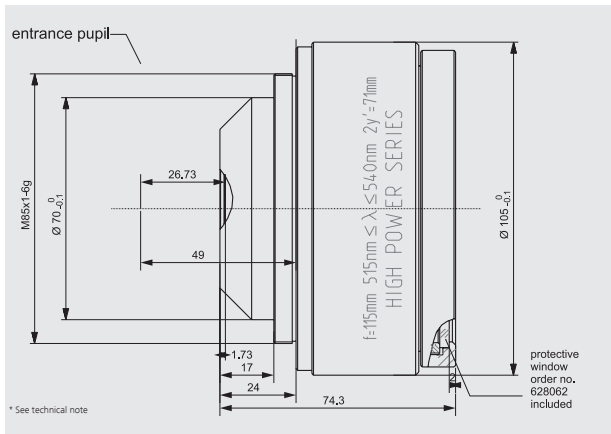
| Parameters | JENar™ 115-515...540-71 Fused silica lens for Ultrashort pulse |
|---|---|
| Focal length: | 115 mm |
| Wavelength: | 515...540 nm |
| Scan field (X x Y); Ø: | (50 mm x 50 mm); 71 mm |
| Diagonal scan angle: | ± 18° |
| X/Y mirror angle: | ± 6.4° |
| Back working distance: | 146 mm |
| Flange focus distance: | 196.3 mm |
| Input beam Ø 1/e²: | 14 mm |
| Focus size Ø 1/e²: | 8 µm |
| a1 a2: | 17 mm 40.5 mm |
| Telecentricity (only F-Theta with scanner): | 3.5° 3.7° |
| Group delay dispersion (GDD)*: | 3216 fs² |
| LIDT coating pulsed; CW*: | 2.5 J/cm² * (τ/[ns]) ^ 0.35; 2.5 MW/cm² |
| LIDT system pulsed; CW*: | 2.5 J/cm² * (τ/[ns]) ^ 0.35; 2.5 MW/cm² |
| Weight: | 1.014 kg |
| Order Number: | 624103 |

Spot properties

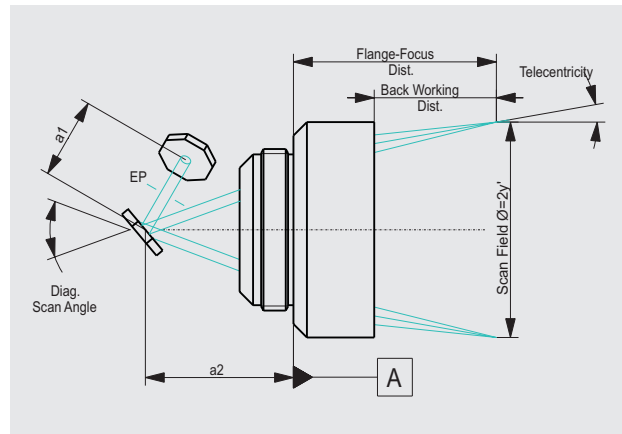


Specifications

JENar™ 115-515...540-71



Definition of geometrical parameters



JENar®: Registered in EU, CN, JP, SG, US | Silverline®: Registered in DE, JP, SG, IN
624103: Utility patent DE 20 2018 100 368 | Utility patent pending in CN, KR

The data given are nominal values for the specified application parameters. Jenoptik provides Zemax® BlackBox files for simulating application results for customized parameters (e.g. wavelength, scanner geometry, beam diameter, ...).
Back working distance, Flange focus distance, and focal length vary by ± 1.5 % due to manufacturing variances.

It is our policy to constantly improve the design and specifications. Accordingly, the details represented herein cannot be regarded as final and binding.