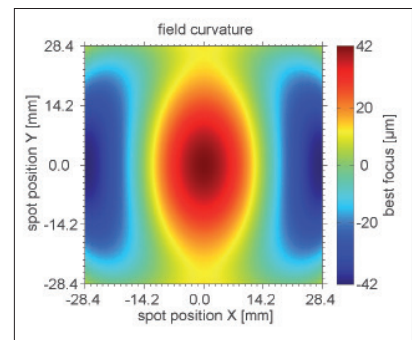
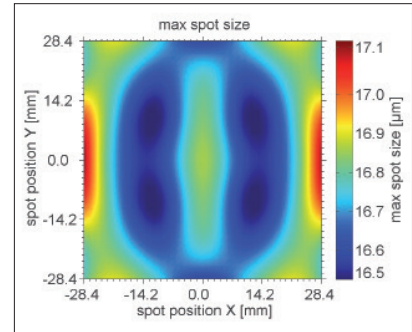


F-Theta JENar™ Lens Series

Telecentric Lens – JENar™ 125-1030...1080-80 + VIS

Parameters	JENar™ 125-1030...1080-80 + VIS Telecentric lens
Focal length:	125 mm
Wavelength:	1030...1080 nm; T@500...680 nm > 85 %
Scan field (X x Y); Ø:	(57 mm x 57 mm); 80 mm
Diagonal scan angle:	37.2°
Back working distance:	152.6 mm
Flange focus distance:	196.9 mm
Input beam Ø 1/e ² :	15 mm
Focus size Ø 1/e ² :	16 µm
a1:	18.2 mm
a2:	37.65 mm
Telecentricity (only F-Theta with scanner):	4.9° 5.1°
Group delay dispersion (GDD):	3670 fs ²
LIDT coating pulsed; CW:	not available yet
LIDT system pulsed; CW:	not available yet
Weight:	0.86 kg
Order Number:	739805*

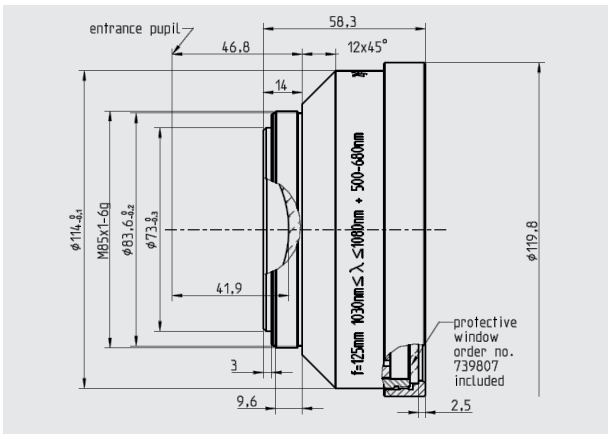
Spot properties



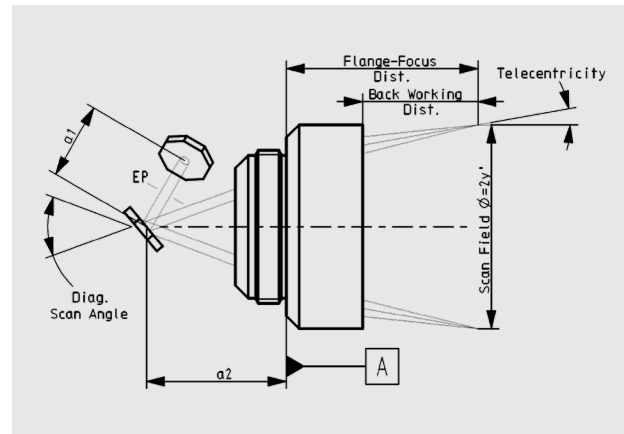
*Please note: Order number was changed. Previous one was 601926.

Specifications

JENar™ 125-1030...1080-80 + VIS



Definition of geometrical parameters



JENar®: Registered in EU, CN, JP, SG, US | F-Theta: Registered Design in EU, CN, KR, JP, SG, IN, HK, TW

The data given are nominal values for the specified application parameters. Jenoptik provides Zemax® BlackBox files for simulating application results for customized parameters (e.g. wavelength, scanner geometry, beam diameter, ...). Back working distance, Flange focus distance, and focal length vary by ± 1.5 % due to manufacturing variances.

It is our policy to constantly improve the design and specifications. Accordingly, the details represented herein cannot be regarded as final