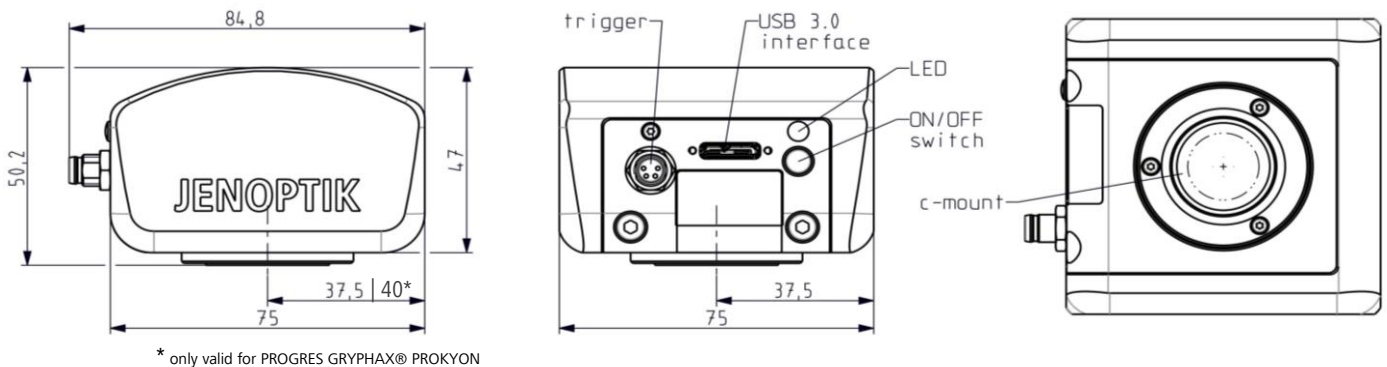




Dimensions and interfaces of PROGRES GRYPHAX® camera series

Technical drawings and interfaces of PROGRES GRYPHAX® cameras:



PROGRES GRYPHAX® cameras are equipped with the following interfaces:

1. Optical interface via **c-mount** – to connect the cameras to every microscope
2. Electrical interface **USB 3.0** – SuperSpeed (USB 3.1 Gen 1.) connection socket type micro-B – for data communication and power supply. No additionally power supply is needed.
3. **Trigger** connection socket – to connect an external device (**trigger out** signal is supported by camera)
4. **"On / OFF" switch** – to turn on or off the camera
5. Status **LED** – to inform about the camera status as follows:
 - 5.1. LED is permanently green – camera is connected to the computer and ready for operation
 - 5.2. LED is blinking green – camera is delivering live image to the computer
 - 5.3. LED is off – camera not connected to the computer or no power from USB interface

Our small and compact camera housing enables you to refine every microscope workstation!

If you need any further information please send an email to:

progres@jenoptik.com

Your PROGRES GRYPHAX® Team