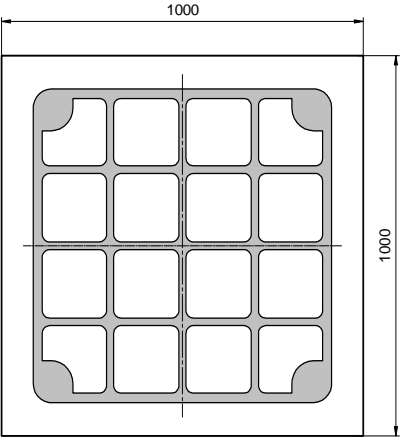


| Radiation | Type | Technology | Electrodes |
|-----------|------|---------------|--------------|
| Infrared | DDH | AlGaAs/AlGaAs | P (anode) up |

| | |
|---|---|
|  <p>PoC-05</p> | typ. dimensions (µm) |
| | <p><u>typ. thickness</u> 165 (±55) µm</p> <p><u>anode</u> gold alloy, 1.5 µm</p> <p><u>cathode</u> gold alloy, 0.5 µm structured, 25% covered</p> |

Optical and Electrical Characteristics

T_{amb} = 25°C, unless otherwise specified

| Parameter | Test conditions | Symbol | Min | Typ | Max | Unit |
|------------------------------|-------------------------|---------------------------------|-----|------|-----|------|
| Forward voltage | I _F = 20 mA | V _F | | 1.3 | 1.5 | V |
| Forward voltage ¹ | I _F = 350 mA | V _F | | 1.45 | | V |
| Reverse voltage | I _R = 100 µA | V _R | 5 | | | V |
| Radiant power ¹ | I _F = 20 mA | Φ _e | 2.5 | 4 | | mW |
| Radiant power ¹ | I _F = 350 mA | Φ _e | 45 | 70 | | mW |
| Peak wavelength | I _F = 20 mA | λ _p | | 835 | | nm |
| Spectral bandwidth at 50% | I _F = 20 mA | Δλ _{0.5} | | 35 | | nm |
| Switching time | I _F = 20 mA | t _r , t _f | | 30 | | ns |

¹ Measured on bare chip glued on a Ø 8 x 1 mm Cu header with JENOPTIK Polymer Systems equipment (for information only)

Labeling

| Type | Lot N° | Φ _e (typ) [mW] | V _F (typ) [V] | Quantity |
|--------------|--------|---------------------------|--------------------------|----------|
| ELC-830-11-1 | | | | |

Packing: Chips on adhesive film with wire-bond side on top

| Environmental | | Symbol | Min | Typ | Max | Unit |
|---------------------------|--------------|-------------------|-----|-----|-----|------|
| Storage Temperature | on Blue Tape | T _{STG} | 15 | | 30 | °C |
| Storage Relative Humidity | on Blue Tape | RH _{STG} | 40 | | 75 | % RH |
| Storage Time | on Blue Tape | t _{STG} | | | 1 | year |

We reserve the right to make changes to improve technical design and may do so without further notice.

Parameters can vary in different applications. All operating parameters must be validated for each customer application by the customer.

JENOPTIK Polymer Systems GmbH, D-12555 Berlin, Köpenicker Str.325 b, Haus 201

Tel.: +49-30-6576 2543, Fax : +49-30-6576 2545