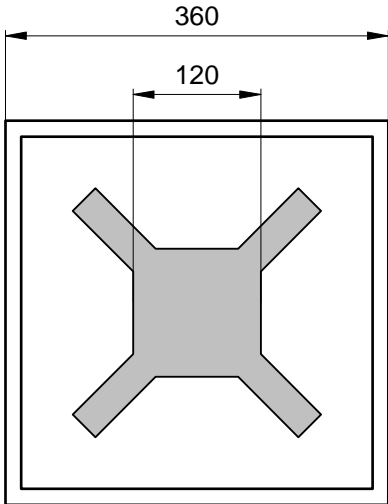


Radiation	Type	Technology	Electrodes
Infrared	DDH	AlGaAs/AlGaAs	N (cathode) up

 <p style="text-align: center;">LED-05</p>	typ. dimensions (μm)
	<p><u>typ. thickness</u> 150 (±25) μm</p> <p><u>cathode</u> gold alloy, 1.5 μm</p> <p><u>anode</u> gold alloy, 0.5 μm, structured, 25% covered</p>

Maximum Ratings

T_{amb} = 25°C, unless otherwise specified

Parameter	Test conditions	Symbol	Min	Typ	Max	Unit
Forward current (DC)		I _F			50	mA

Optical and Electrical Characteristics

T_{amb} = 25°C, unless otherwise specified

Parameter	Test conditions	Symbol	Min	Typ	Max	Unit
Forward voltage	I _F = 20 mA	V _F	1.6	1.8	2.0	V
Reverse voltage	I _R = 100 μA	V _R	5			V
Radiant power ¹	I _F = 20 mA	Φ _e	2.5	3.5		mW
Peak wavelength	I _F = 20 mA	λ _p	760	770	780	nm
Spectral bandwidth at 50%	I _F = 20 mA	Δλ _{0.5}	20	30	40	nm
Switching time	I _F = 20 mA	t _r , t _f		40	100	ns

¹Measured on bare chip on TO-18 header with JENOPTIK Polymer Systems equipment

Labeling

Type	Lot N°	Φ _e (typ) [mW]	V _F (typ) [V]	Quantity
ELC-770-27				

Packing: Chips on adhesive film with wire-bond side on top

Environmental		Symbol	Min	Typ	Max	Unit
Storage Temperature	on Blue Tape	T _{STG}	15		30	°C
Storage Relative Humidity	on Blue Tape	RH _{STG}	40		75	% RH
Storage Time	on Blue Tape	t _{STG}			1	year

We reserve the right to make changes to improve technical design and may do so without further notice.
Parameters can vary in different applications. All operating parameters must be validated for each customer application by the customer.