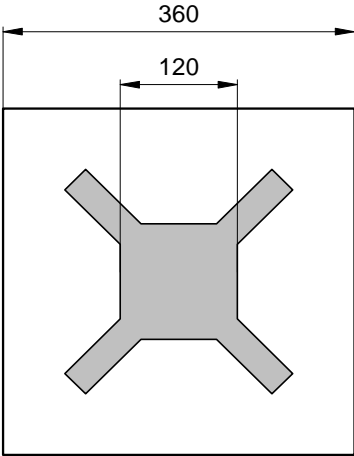


Radiation	Type	Technology	Electrodes
Infrared	DH	AlGaAs/GaAs	P (anode) up

 <p style="text-align: center;">LED-14</p>	typ. dimensions (μm)
	<u>typ. thickness</u> 260 (±20) μm <u>anode</u> gold alloy, 1.5 μm <u>cathode</u> gold alloy, 0.5 μm,

Maximum Ratings

T_{amb} = 25°C, unless otherwise specified

Parameter	Test conditions	Symbol	Min	Typ	Max	Unit
Forward current (DC)		I _F			100	mA

Optical and Electrical Characteristics

T_{amb} = 25°C, unless otherwise specified

Parameter	Test conditions	Symbol	Min	Typ	Max	Unit
Forward voltage	I _F = 20 mA	V _F		1.2	1.4	V
Forward voltage	I _F = 100 mA	V _F		1.35	1.7	V
Reverse voltage	I _R = 100 μA	V _R	5			V
Radiant power*	I _F = 20 mA	Φ _e	1.2	2.5		mW
Radiant power*	I _F = 100 mA	Φ _e		10.5		mW
Centroid wavelength	I _F = 20 mA	λ _p	935	950	960	nm
Spectral bandwidth at 50%	I _F = 20 mA	Δλ _{0.5}		50		nm
Switching time	I _F = 20 mA	t _r , t _f		450/300		ns

* Measured on bare chip on TO-18 header with JENOPTIK Polymer Systems equipment

Labeling

Type	Lot N°	Φ _e (typ) [mW]	V _F (typ) [V]	Quantity
ELC-950-17				

Packing: Chips on adhesive film with wire-bond side on top

Environmental		Symbol	Min	Typ	Max	Unit
Storage Temperature	on Blue Tape	T _{STG}	15		30	°C
Storage Relative Humidity	on Blue Tape	RH _{STG}	40		75	% RH
Storage Time	on Blue Tape	t _{STG}			1	year

We reserve the right to make changes to improve technical design and may do so without further notice.

Parameters can vary in different applications. All operating parameters must be validated for each customer application by the customer.

JENOPTIK Polymer Systems GmbH, D-12555 Berlin, Köpenicker Str.325 b, Haus 201

Tel.: +49-30-6576 2543, Fax : +49-30-6576 2545